

4.2.2 MilchMobil NEXT - MRC

This document shows a brief overview of commissioning.

Operating modes

SET Setting mode when the MilchMobil is connected to the power supply.



AUTO Feeding mode when the MilchMobil is disconnected from the power supply.

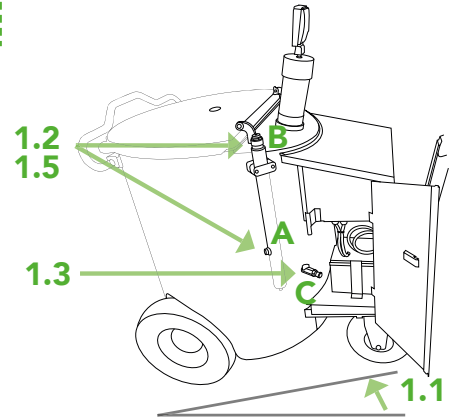


The unit must always be connected to the power supply after feeding.

1 Fill water bath

When filling, shake the unit to prevent air bubbles.

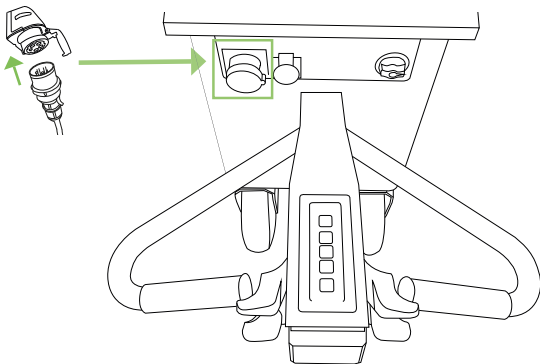
- 1.1 Set the unit at an angle
- 1.2 Unscrew plug (A) & pressure relief valve (B)
- 1.3 Fill through nozzle (C) until water comes out of plug (A)
- 1.4 Level the unit and refill until water flows continuously from the plug
- 1.5 Screw the plug & pressure relief valve back on



2 Connect and switch on the unit

SET

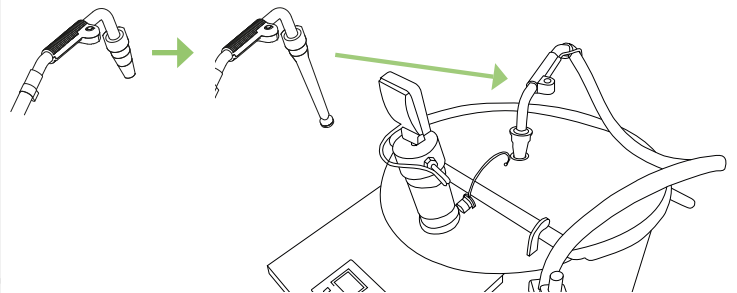
Charge battery for 6 to 8 hours



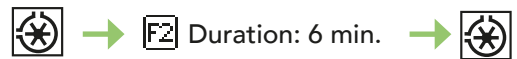
3 Cleaning

SET

- 3.1 Fill with approx. 20 l of warm water and detergent if necessary
- 3.2 Connect and plug in the cleaning nozzle



- 3.3 Start cleaning program



- 3.4 Empty tank & rinse with clear water

The unit must be cleaned once before commissioning and after each feeding - Use alkaline & acidic cleaning agents alternately.

4 Set feeding quantities

SET

Fx → **Enter** → Select up to 5 quantities in liters

5 Calibrate the milk pump

Have a measuring cup ready and calibrate at least twice.

Hold calibration vessel at bucket level to allow accurate calibration.

SET

Fill approx. 25 l of water into the tank → Pump (on the control panel) → **F3** Fill hose → **ESC**

Calibration menu → Select calibration quantity → Dose out water →

3,5 L Target value flashes → Check the dosed quantity → Enter the dosed quantity

QUICK START GUIDE

4.2.2 MilchMobil NEXT - MRC



Pre-Settings

6 Set cooling system

6.1 Activate expert mode

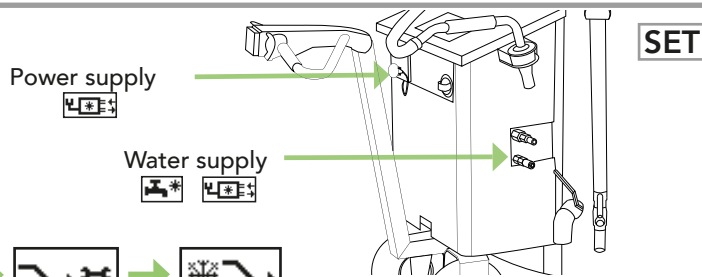


6.2 Set the type of cold water supply

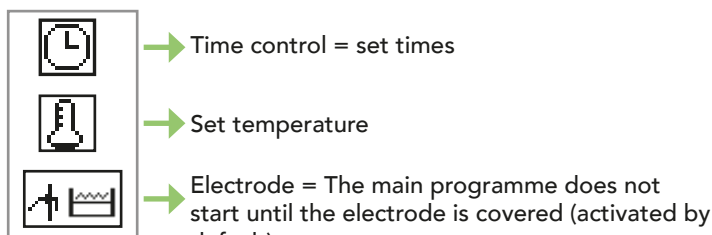


Cold water supply or External device (e.g. cooling unit or pump) connected via power supply

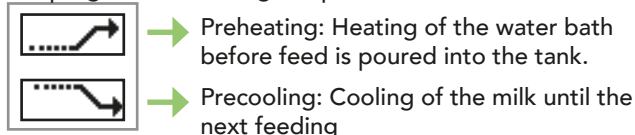
6.3 Deactivate expert mode (see step 6.1)



7 Starting the programs



Pre-programs at feeding temperature

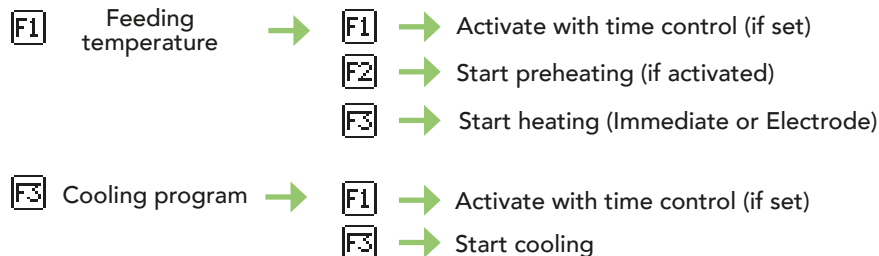


SET

Daily routine

8 Starting the programs

Must always be activated for the next feeding.



When the program is finished, the milk has the desired feeding temperature.

No heating to feeding temperature, only cooling.

SET

9 Driving and dosing

9.1 Change to auto mode: Unlocking via body protection switch



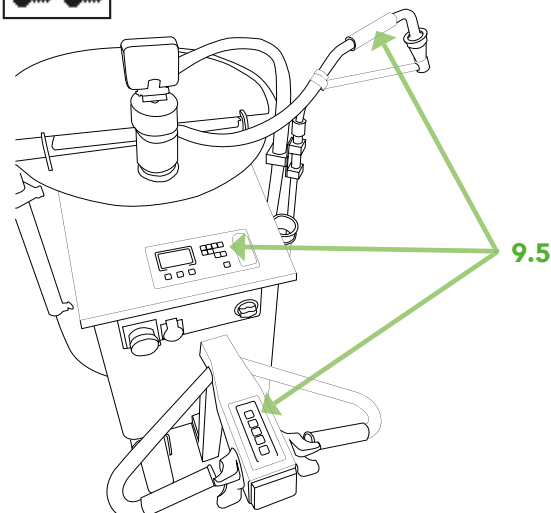
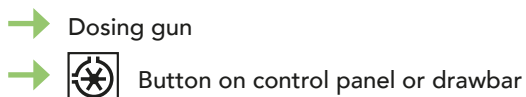
9.2 Unlocking the machine



9.3 Switching between two driving speeds

9.4 Select feeding quantity with FX or Push

9.5 Dosing the feed



AUTO