

QUICK START GUIDE

CalfRail

7.1 Description of functions and feeding procedures

This document offers a quick overview of the most important functions and processes.

1 Calf Feeder



Prepared
freshly



Control &
Manage



Cleaning

2 Water heating CalfRail

Supplies the heating line with heated water



Heats the
system up



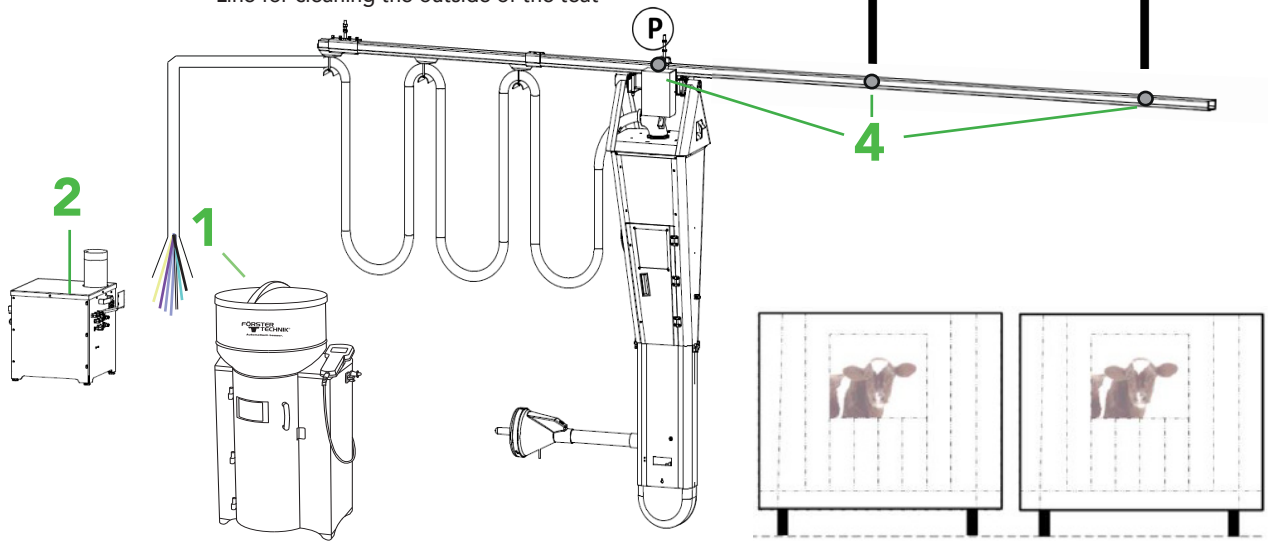
Keeps hoses
warm



Frost protection

3 Hose package includes all necessary cables and lines

- Feeding supply line
- CAN-Bus cable
- Electricity cable
- Return line for cleaning
- Heating line (supply and return line)
- Line for cleaning the outside of the teat



4 Guide rail CalfRail

Magnets mark calf positions where the CalfRail stops for feeding as well as the parking position of the CalfRail



5 CalfRail



Transports the
fresh feed



at fixed feeding
times



Feeds all calves
one after another

6 Hose pump

Transports the fresh feed
and cleaning liquids



7 Teat cleaning

The pump sprays the teat
down with water between
the feeding of each calf



8 3/2 directional valve switches

- to the teat during a feeding
- to the return line for rinsing or
cleaning



9 Feed button

Runs the pump to help new calves
with their first drinking attempts. In-
dicates by flashing when entitlement
is used up.



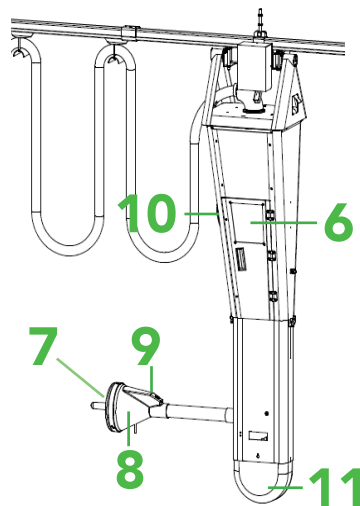
10 Continue button

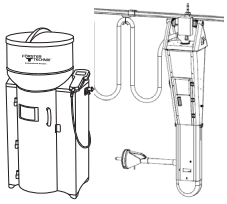
Enables the move on to the next calf
before the waiting time is over



11 Suction sensor

Operated by the calf sucking on the teat
and starts the pump to deliver the feed





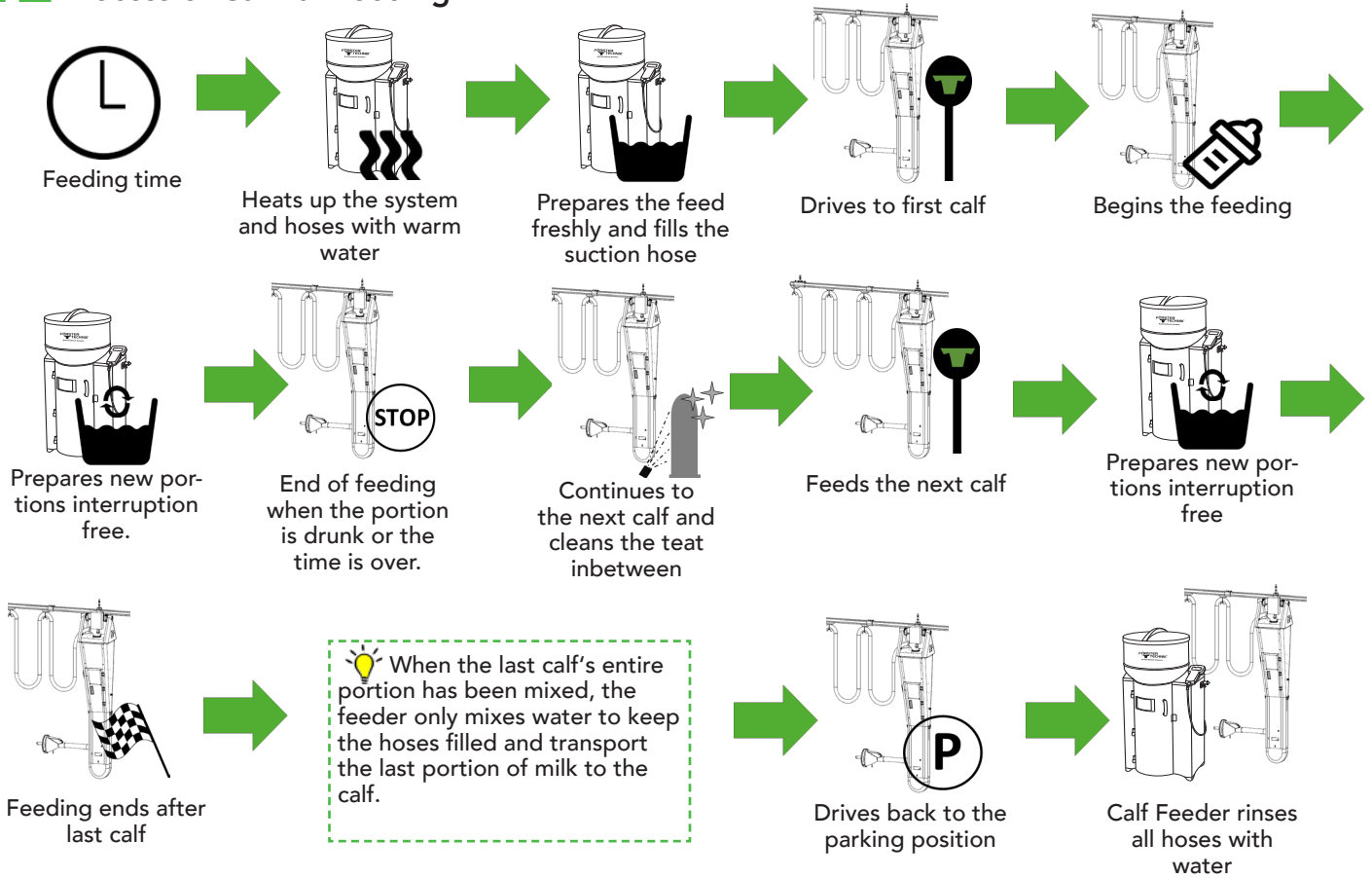
QUICK START GUIDE

CalfRail

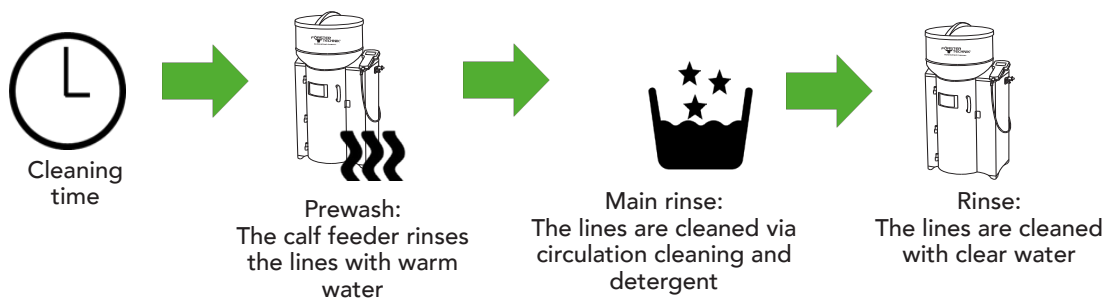
7.1 Description of functions and feeding procedures

This document offers a quick overview of the most important functions and processes.

12 Process of CalfRail feeding



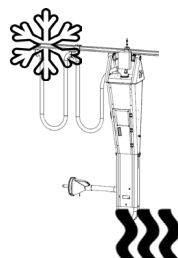
13 Automatic hose cleaning (Option)



14 Good to know



Independent of the CalfRail cleaning, the hoses are automatically filled with rinsing water after each cleaning of the machine.



The water bath heater not only keeps the hoses warm. It also prevents the system from freezing. Thanks to the temperature sensor, the heater can work independently.